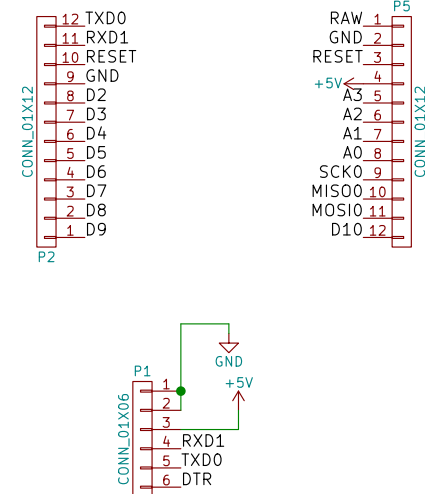
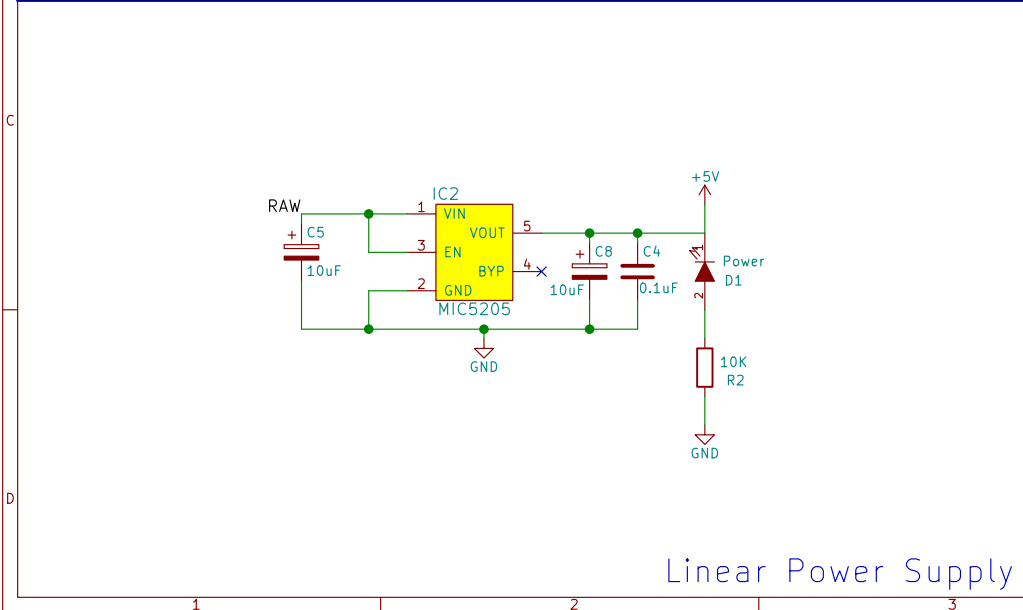


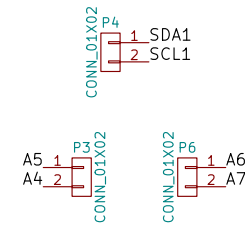
ATMEGA 328PB



Breakout headers



Linear Power Supply



Off Grid Breakout headers

Explore Embedded

Sheet: /
File: Explore mini PB.sch

Title: Tit v0.1

Size: A4 Date:
KiCad E.D.A. kicad (2015-01-16 BZR 5376)-product

Rev:
Id: 1/1