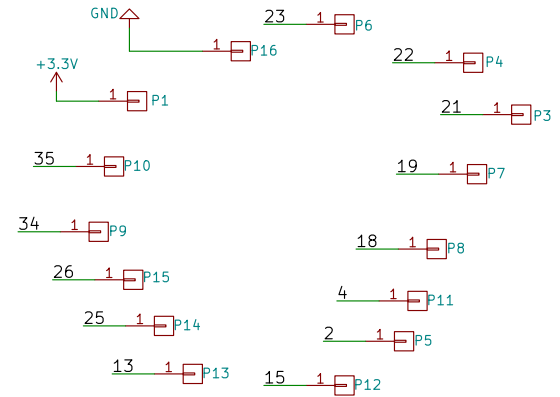
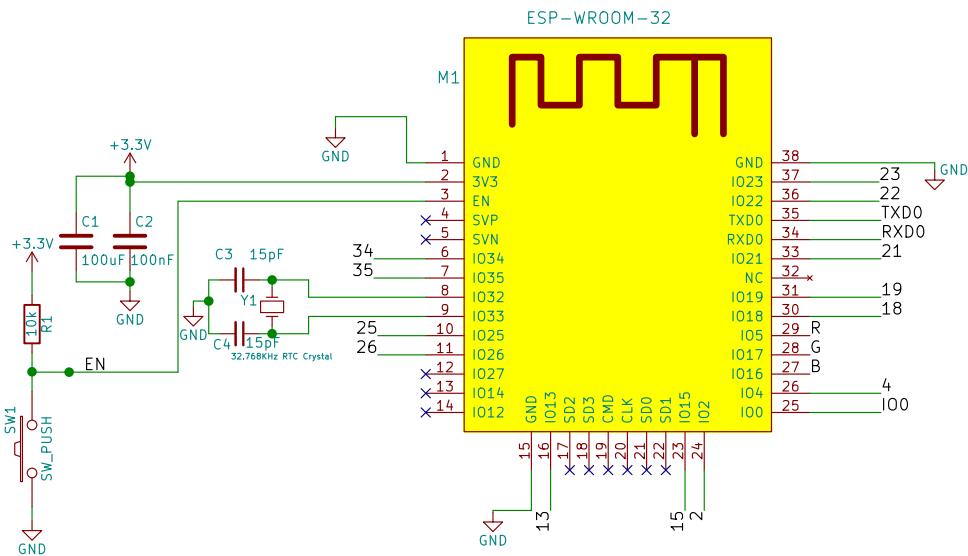


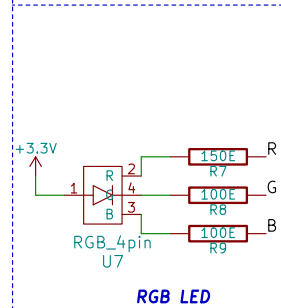
Power Circuit



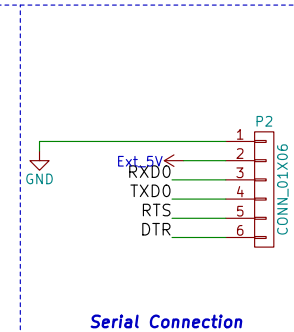
Pins Breakout



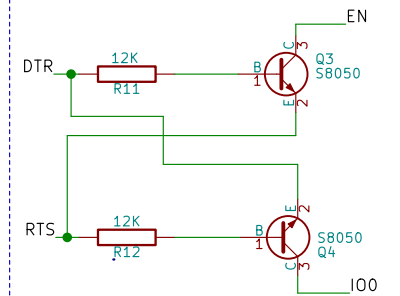
ESP-WROOM-32 Module



RGB LED

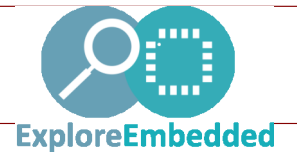


Serial Connection



Auto Programming Logic Circuit

Sheet: /
File: Beacon32.sch



Title:

Size: A4 Date: 31 may 2015
KiCad E.D.A. kicad (2015-01-16 BZR 5376)-product

Rev:
Id: 1/1