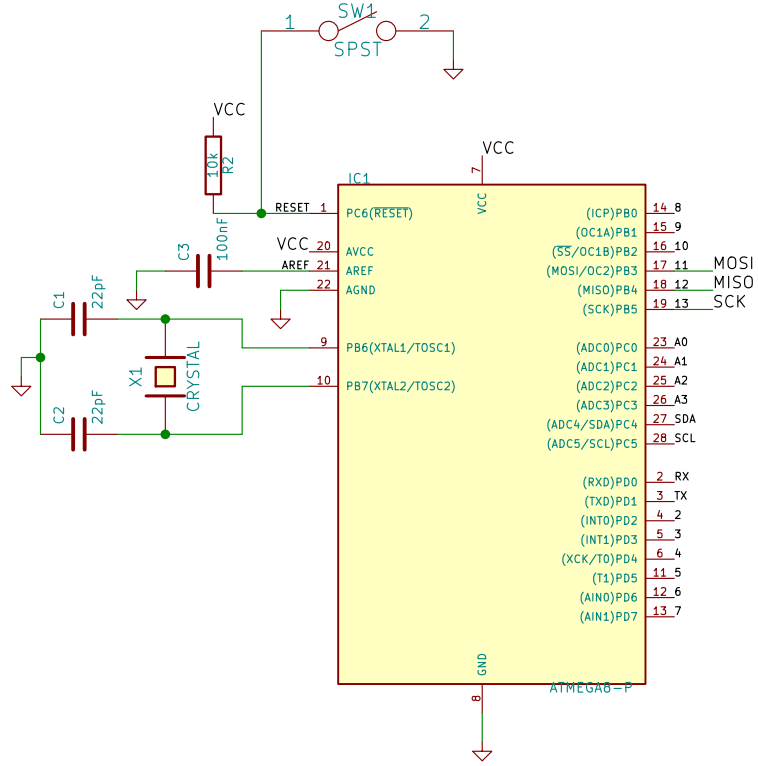
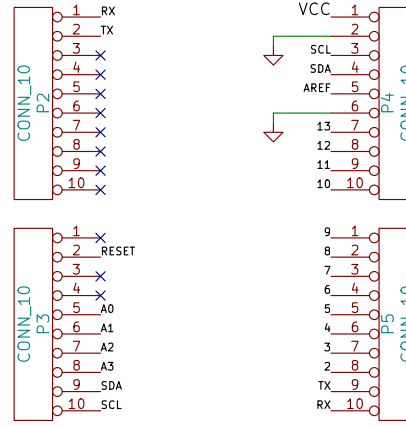


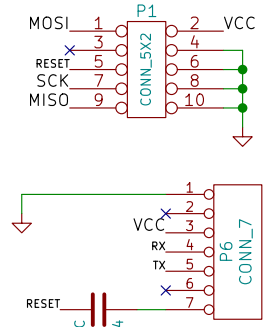
Controller



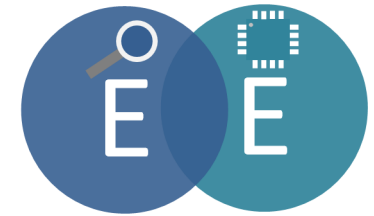
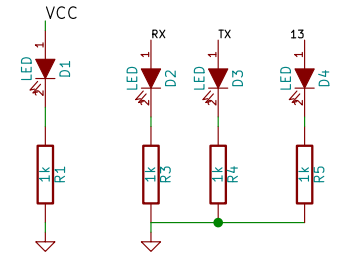
Connectors



Programmer Connector



LEDs



Sheet: /
File: Arduino.sch

Title:

Size: A4 Date: 10 aug 2015
KiCad E.D.A. kicad (2015-01-16 BZR 5376)-product

Rev:
Id: 1/1