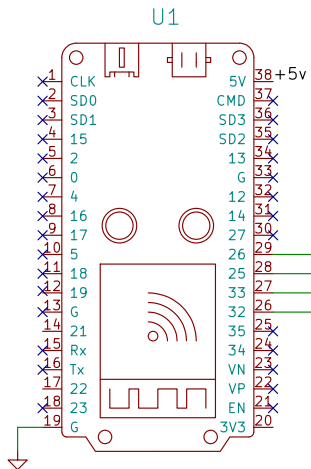




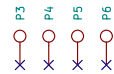
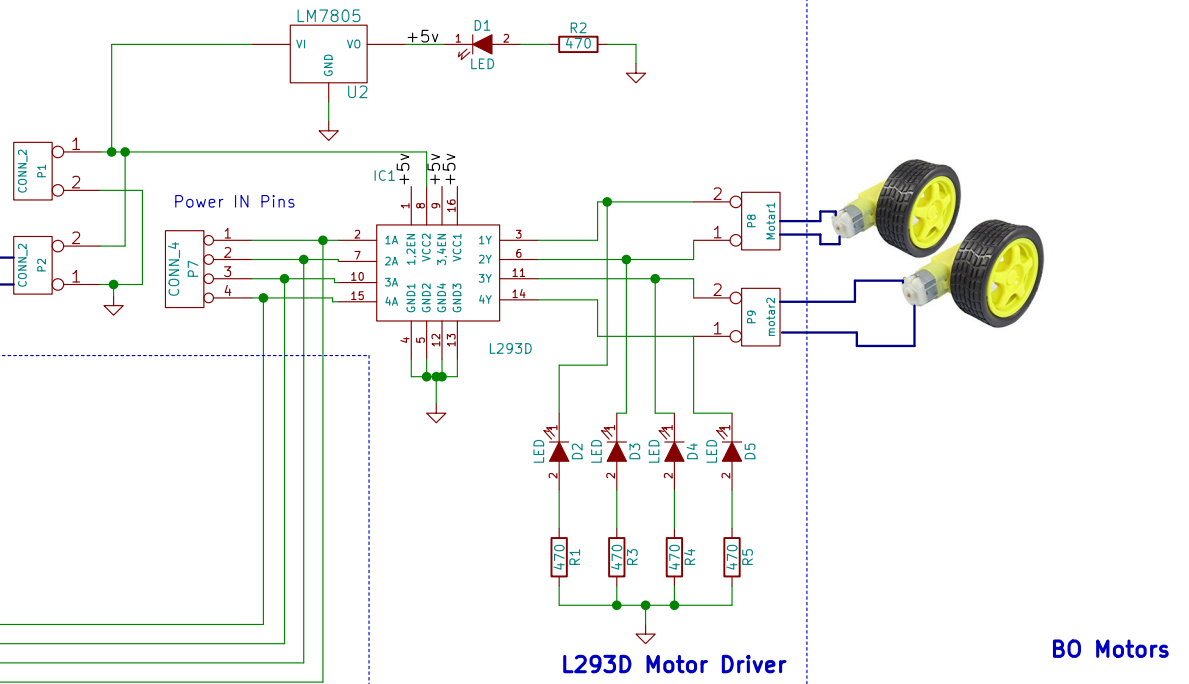
Power through header pins

Power Fed from 4 X AA Batteries
1.5V X 4 = 6V

4 AA Battery and holder



Hornbill ESP32 Dev



Mounting holes



ExploreEmbedded.com

Sheet: /

File: RoboESP32.sch

Title: Robot with Hornbill ESP32 blynk

Size: A4 Date: 4 jul 2014

KiCad E.D.A. kicad 4.0.4-stable

Rev: v0.1

Id: 1/1