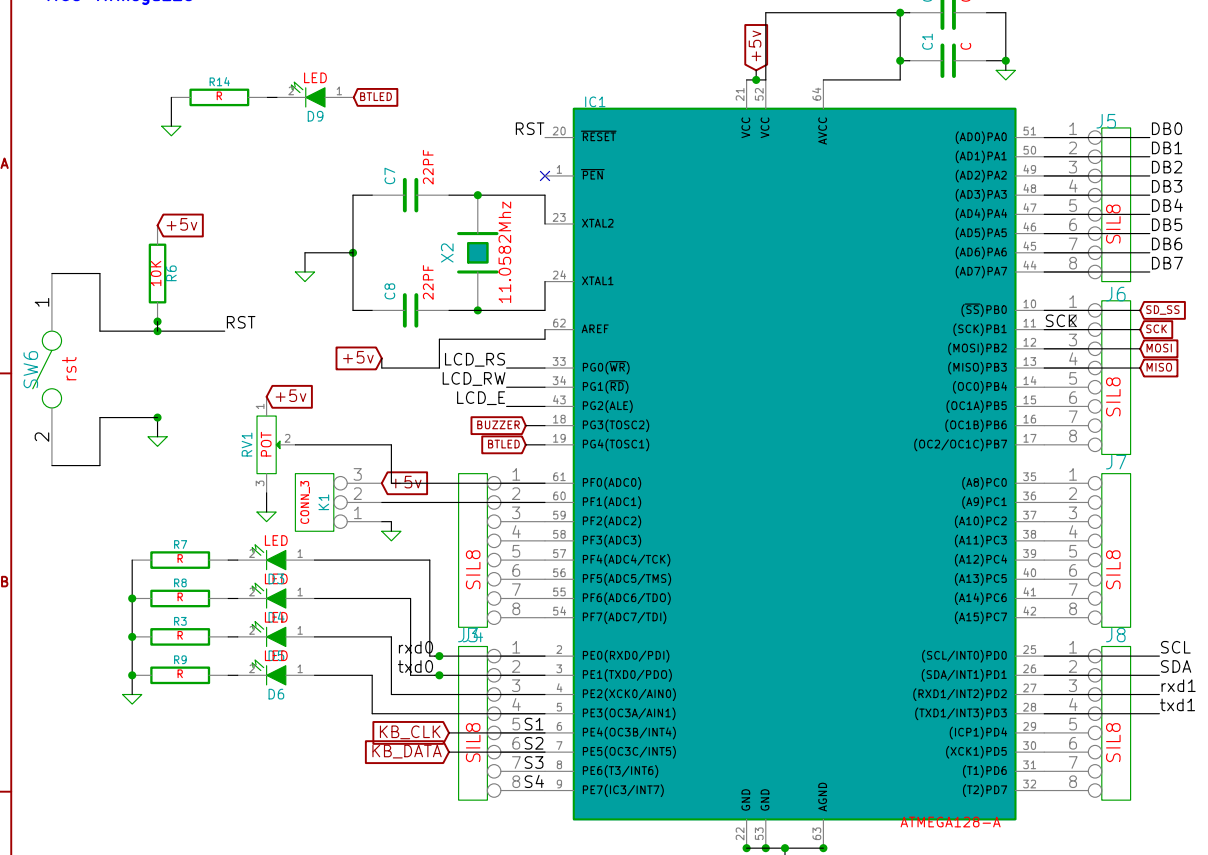
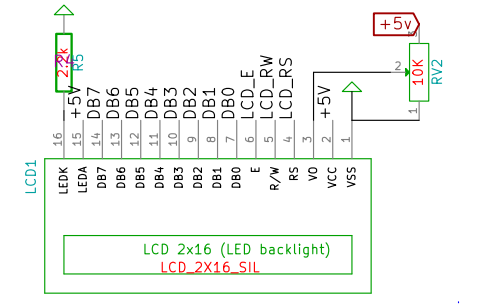


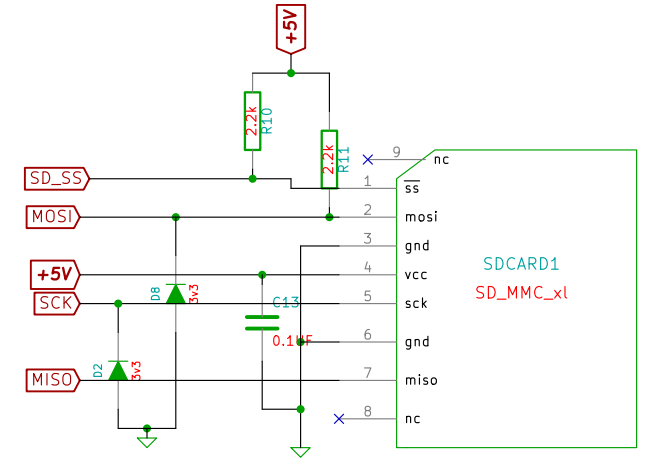
MCU-ATmega128



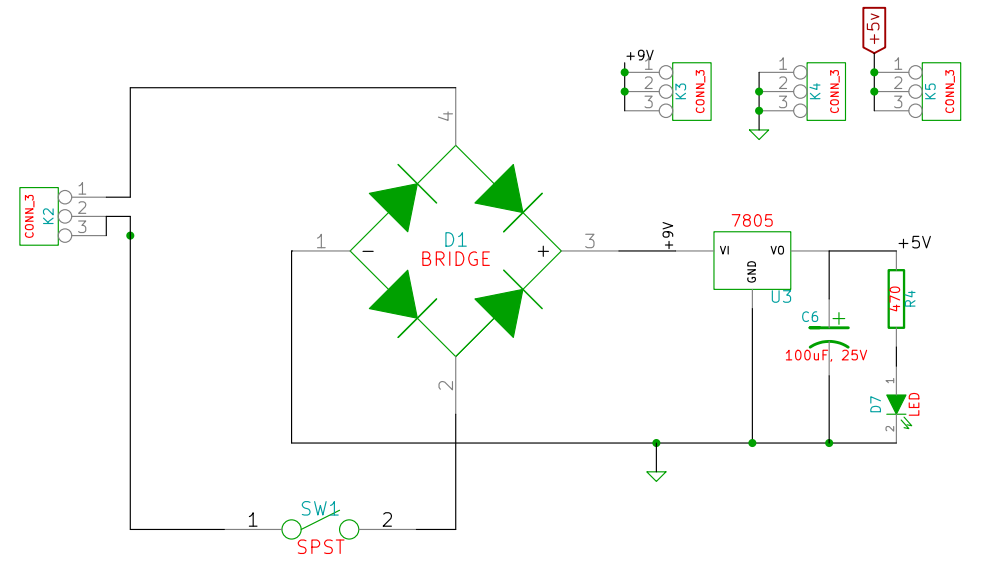
LCD 8-BIT MODE



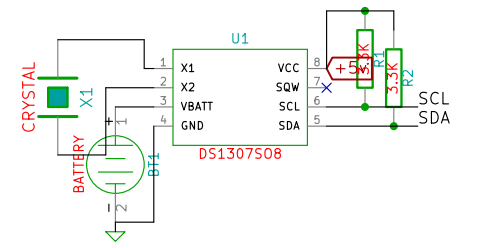
MicroSD Card



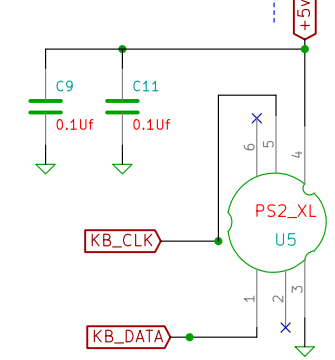
POWER SUPPLY



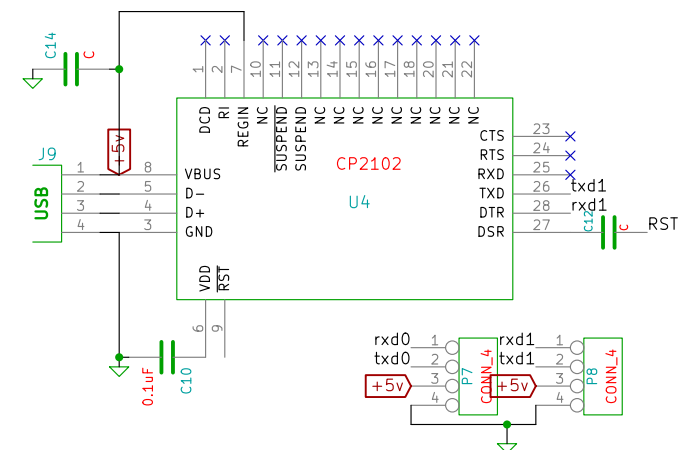
RTC DS1307



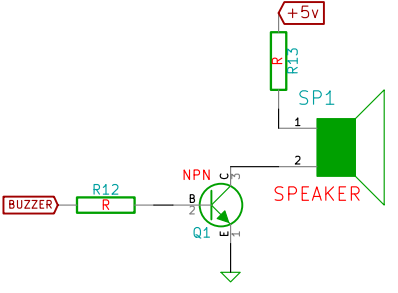
PS2 KEYBOARD



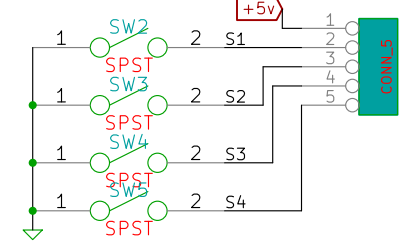
USB to SERIAL



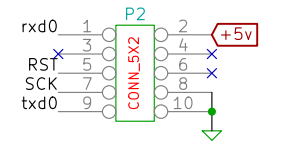
BUZZER



SWITCHES PUSH BUTTON



ISP BREAKOUT



Interface	PORT
LEDs	L1 to L4 PE0 to PE3 L5 (Bootloader) PG4
Switches	S1 to S4 PE4 to PE7
LCD 16x2	Data(DB0 to DB7) PA0 to PA7 Control(RS,RW,E) PG1,PG2,PG3
Buzzer	PG3
RTC	SCL,SDA PD0, PD1
PS2 Keyboard	KB_CLK, KB_Data PE4(INT4),PE5
SD Card	SS,SCK, MOSI, MISO PB0,PB1,PB2,PB3
ADC	ADC0-ADC7,Trimpot PF0 to PF7, PF0

*Bootloader is configured on UART1
*Atmega128 uses Rx0 and Tx0 instead of MOSI, MISO for ISP programming, refer datasheet for details