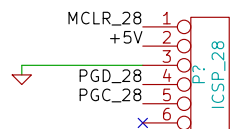
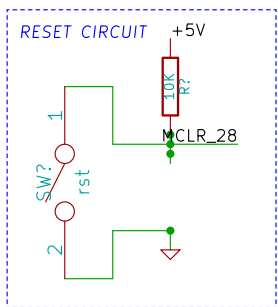
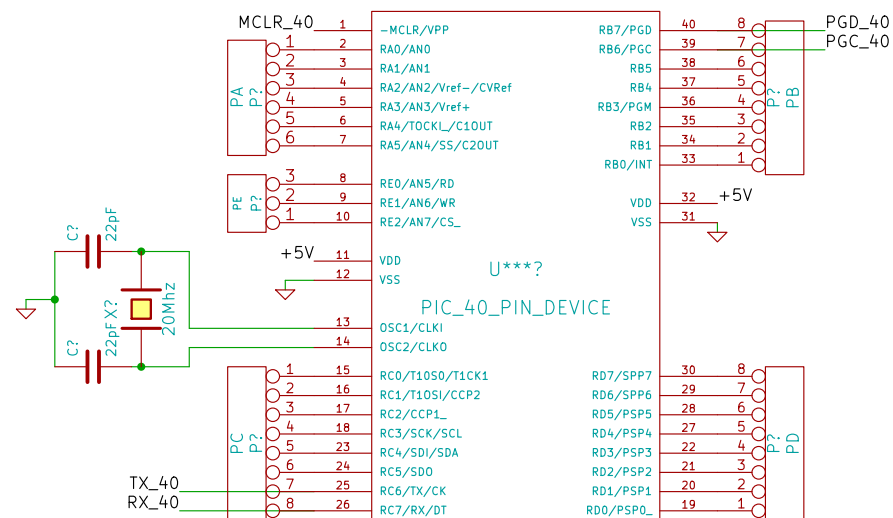
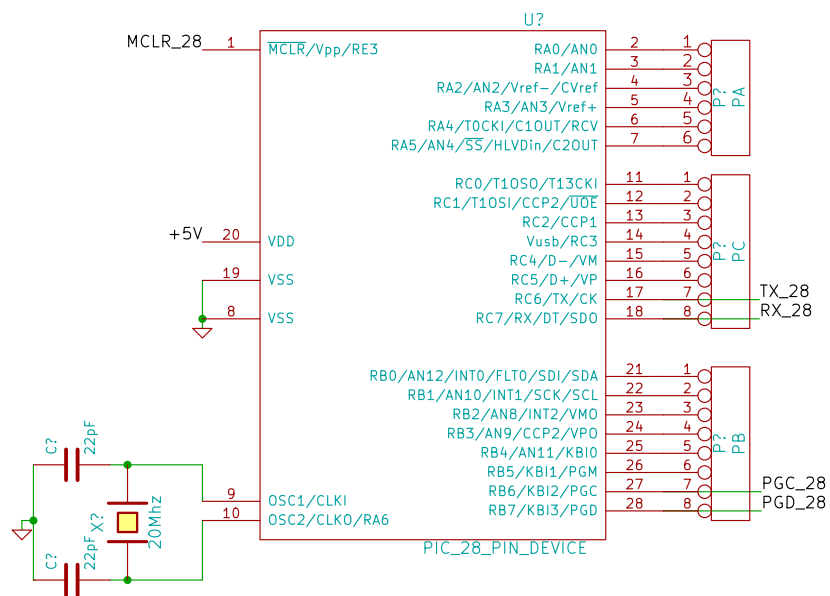
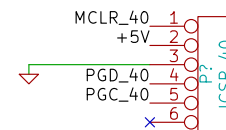
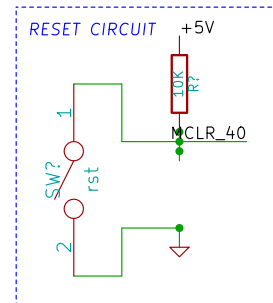


PIC_28_PIN_MICRO

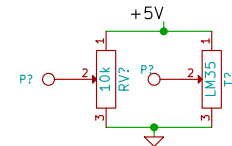
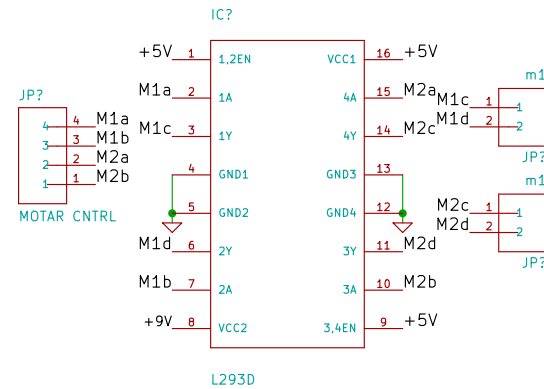
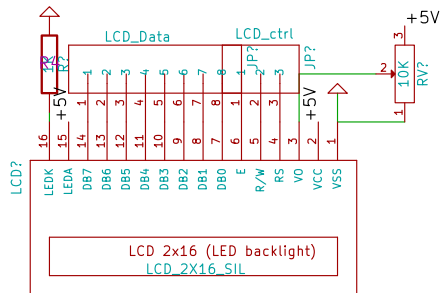
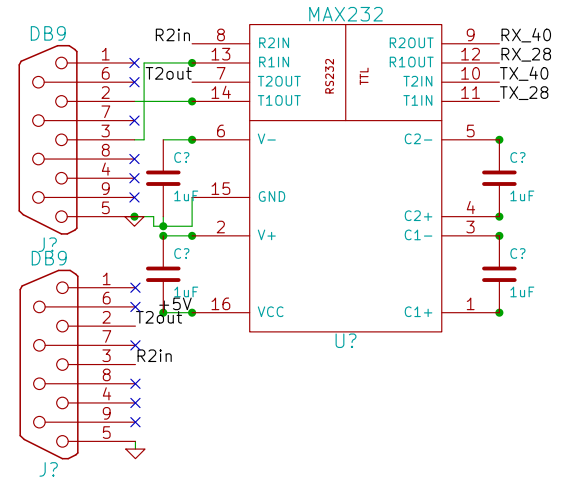
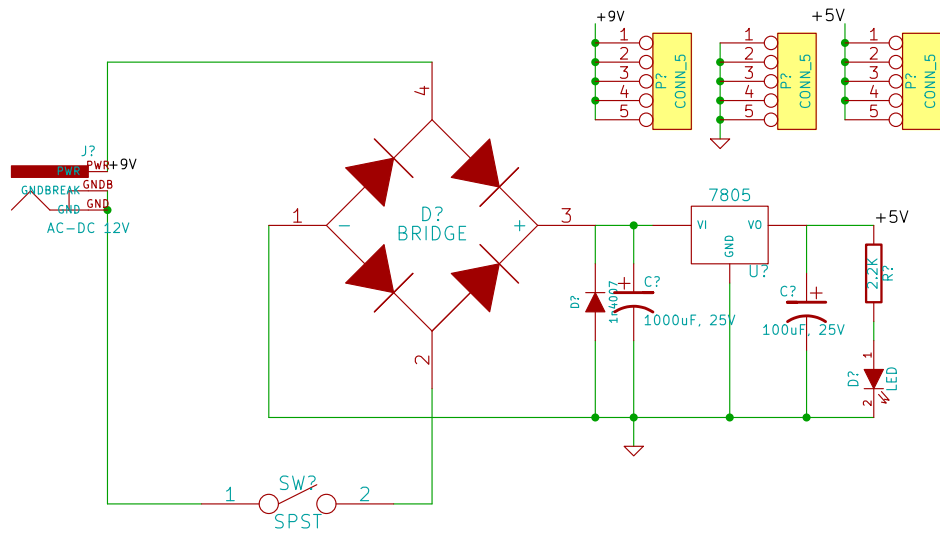


PIC_40_PIN_MICRO



- 1
file554AFD3D.sch
- 2
file554AF9FC.sch
- 3
file554AFB19.sch

File: Ultra_pic.sch	
Sheet: /	
Title:	
Size: A4	Date: 7 may 2015
KiCad E.D.A.	Rev: 1/4



File: file554AFD3D.sch

Sheet: /1/

Title:

Size: A4

Date: 7 may 2015

Rev:

KiCad E.D.A.

Id: 2/4

