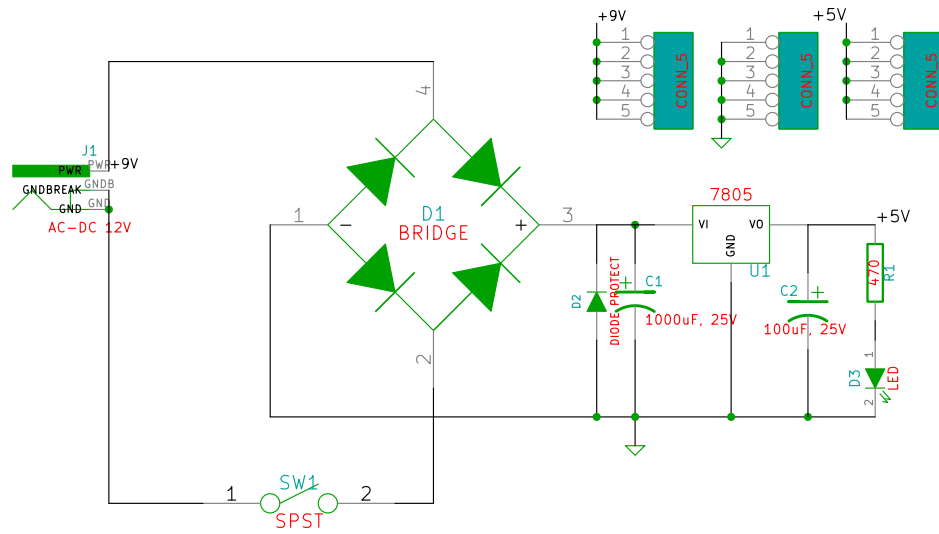
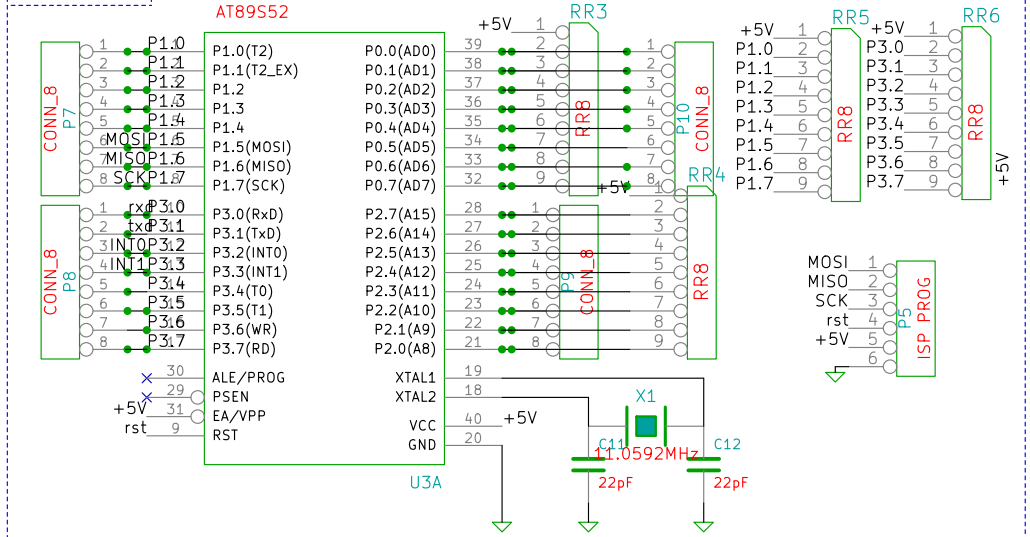


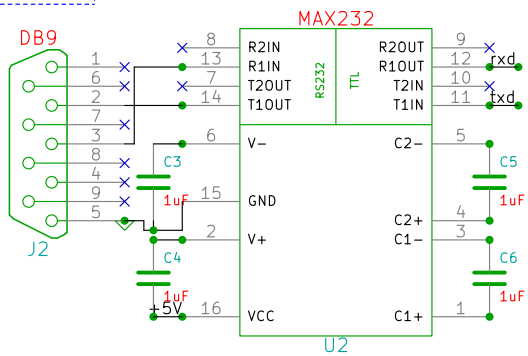
POWER SUPPLY



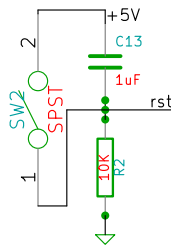
CONTROLLER



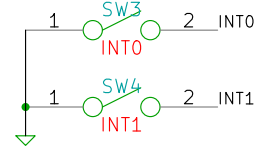
SERIAL INTERFACE



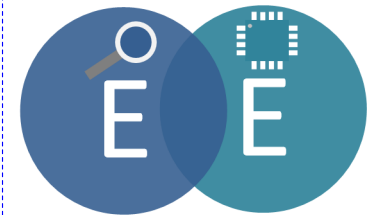
RESET



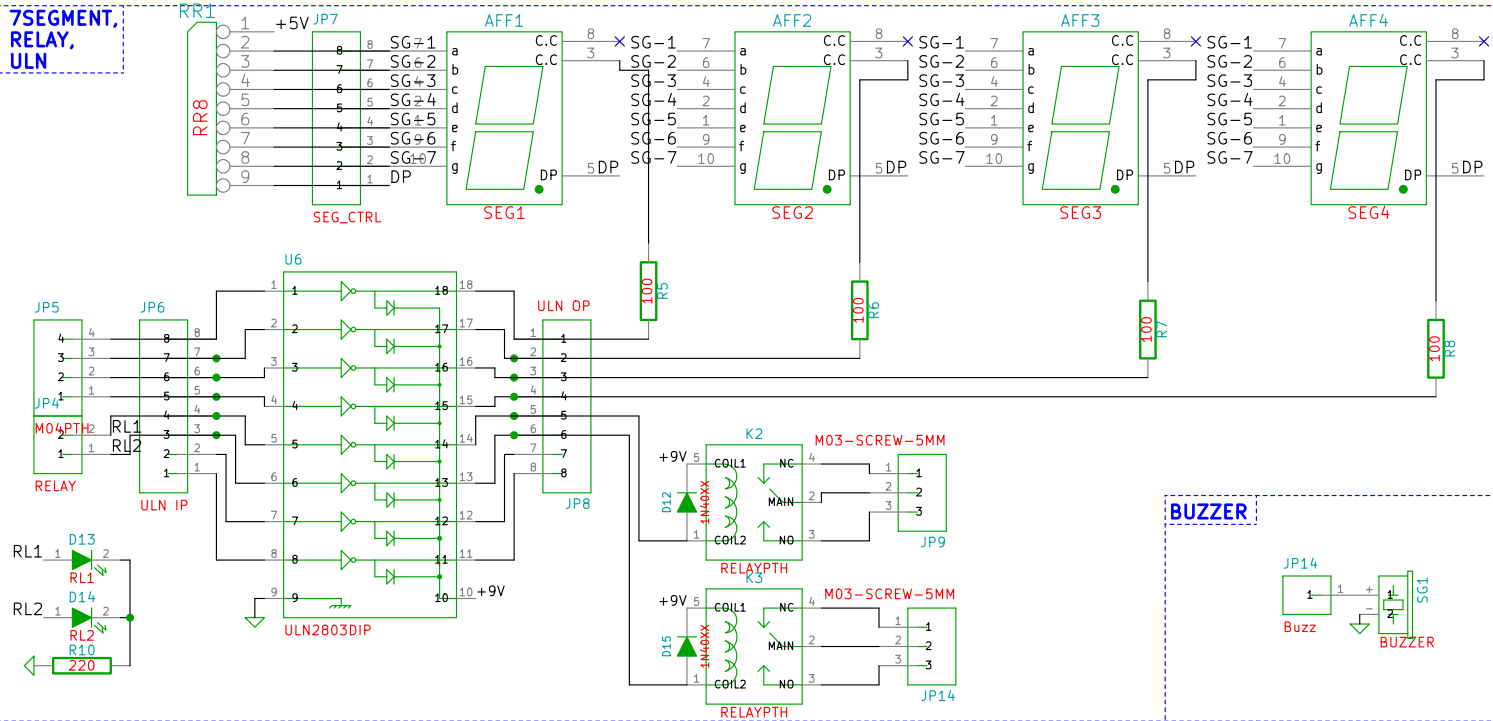
2-SWITCHES



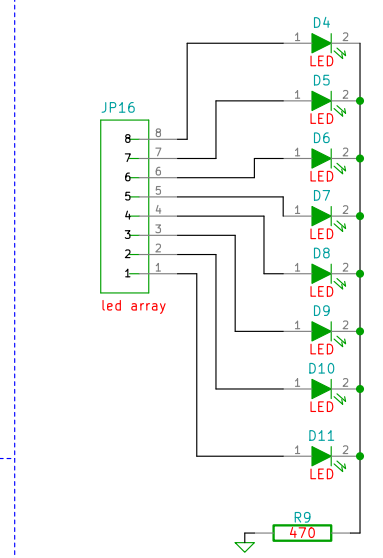
2 of 3
Ultra_x51.sch
3 of 3
Ultra_x51_peripherrats.sch



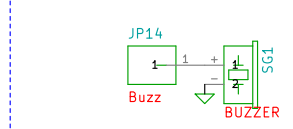
7SEGMENT, RELAY, ULN



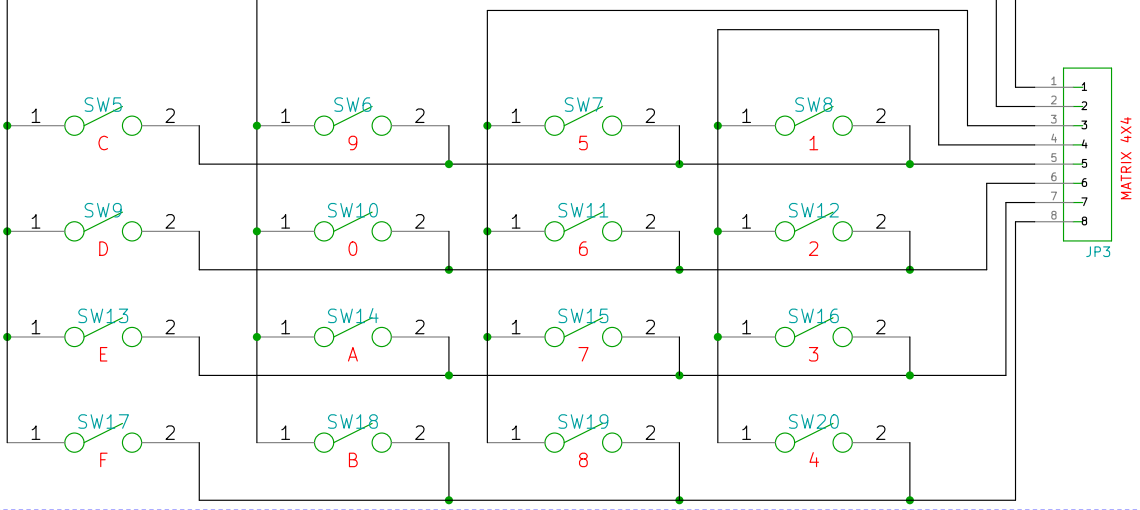
8-LED ARRAY



BUZZER



HEX KEYPAD



EEPROM

