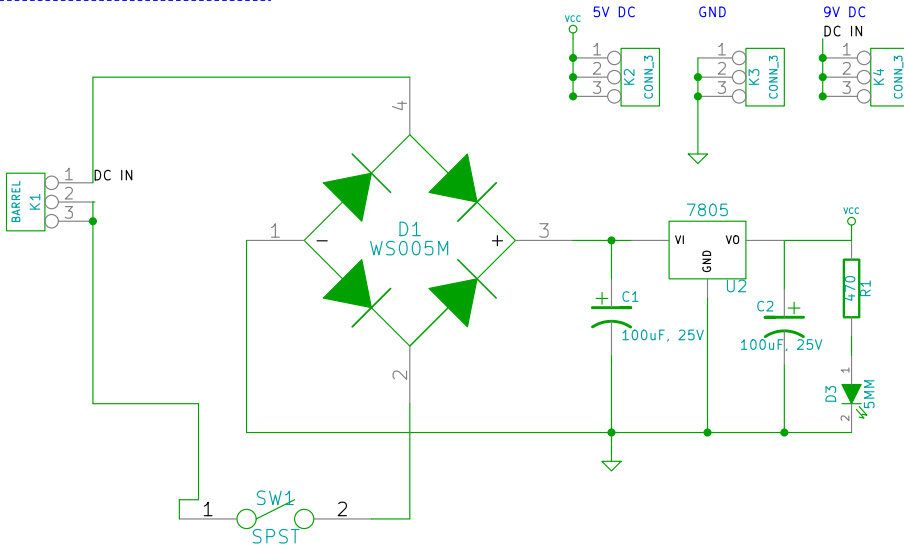
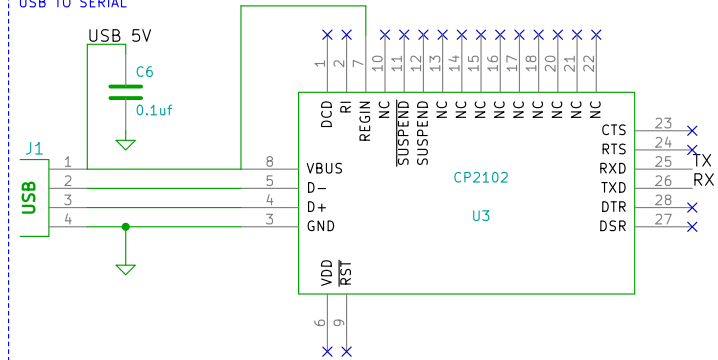


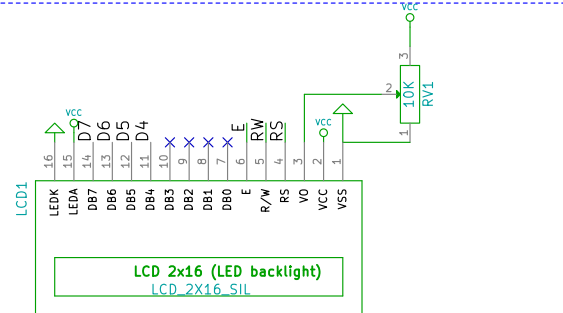
POWER SUPPLY



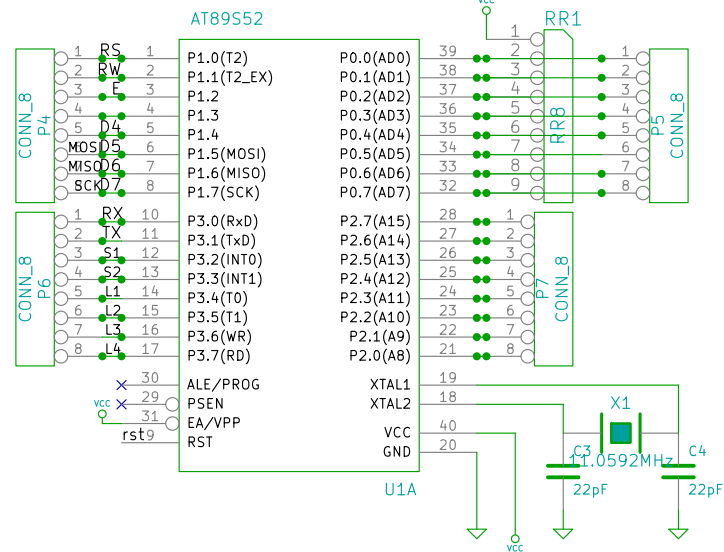
USB TO SERIAL



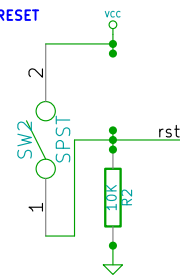
LCD 8-BIT MODE



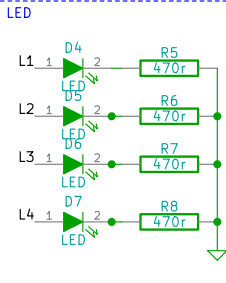
x51 BASED CONTROLLER



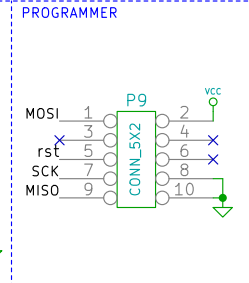
RESET



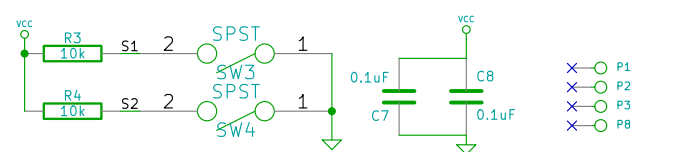
LED



PROGRAMMER



SWITCHES



www.xplorelabz.com

Xplore LabZ

File: STARTER_x51.sch

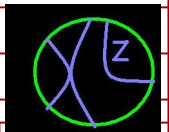
Sheet: /

Title: Wings X51

Size: A4

Date: 5 apr 2014

KiCad E.D.A.



Rev.

Id: 1/1