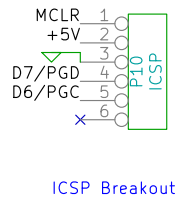
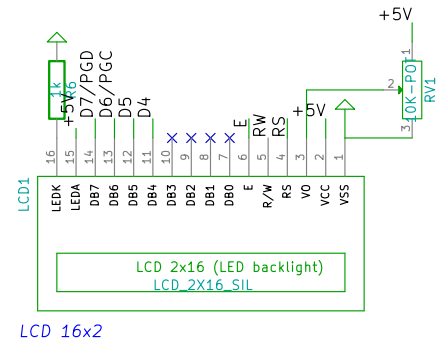
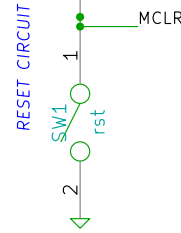
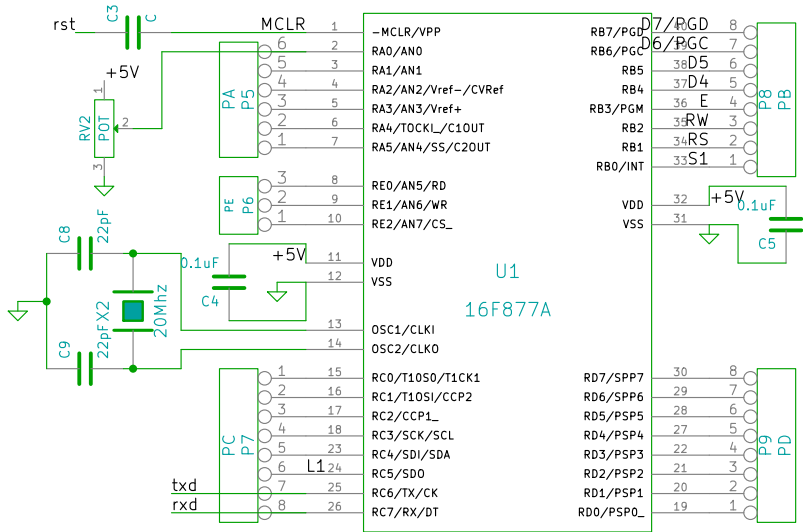
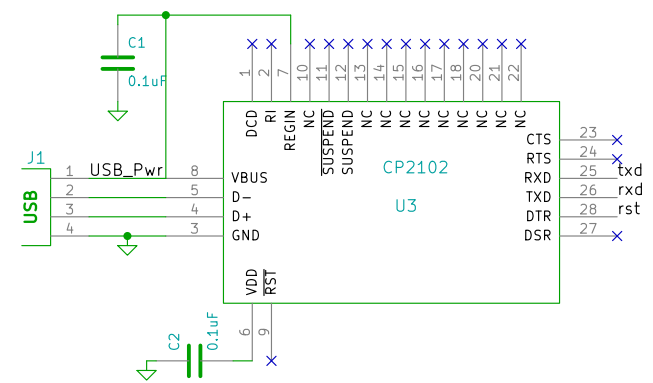


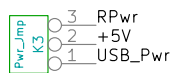
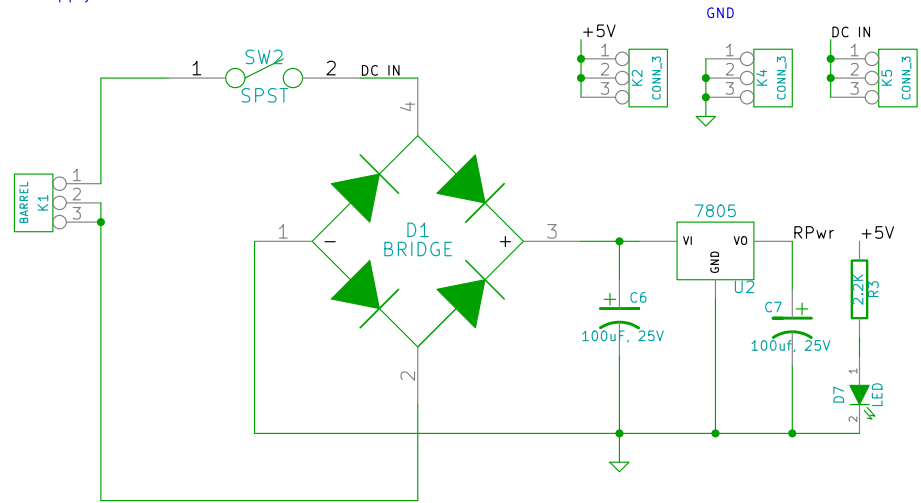
MCU



USB to Serial Converter

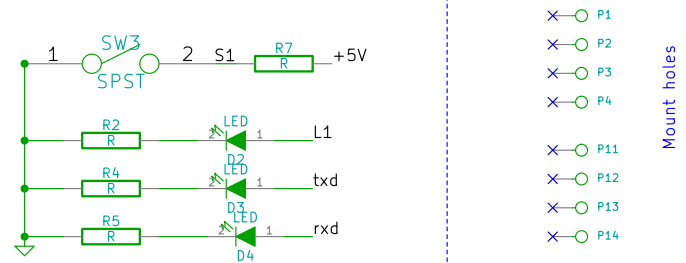


Power Supply



Power Jumper
 Position ---> Power Source
 1-2 ---> Regulator
 2-3 ---> USB
 Note: computers have a limit of 500mA,
 hence not recommended to use with
 external high current sink devices.

Test Switch and LEDs



www.xplorelabz.com		Rev:	
Xplore Labz		Id: 1/1	
File: Pro-pic.sch			
Sheet: /			
Title: PIC_Starter			
Size: A4	Date: 22 mar 2014		
KiCad E.D.A.			