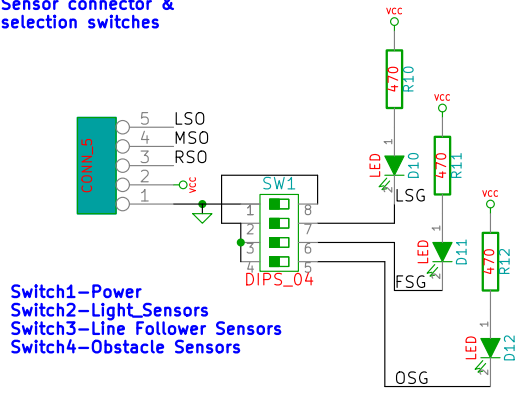
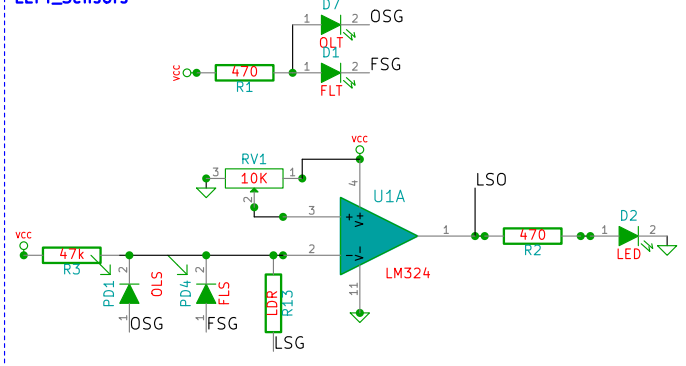


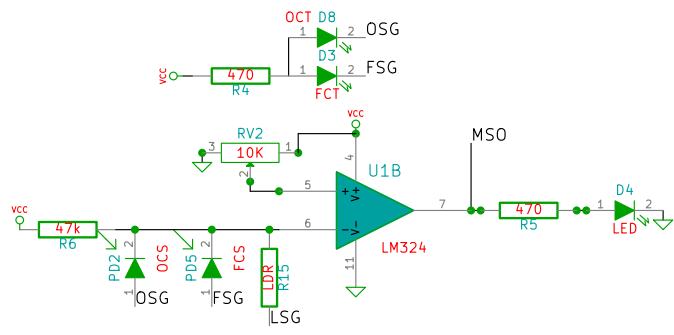
Sensor connector & selection switches



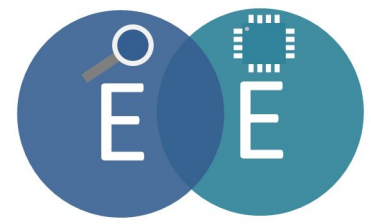
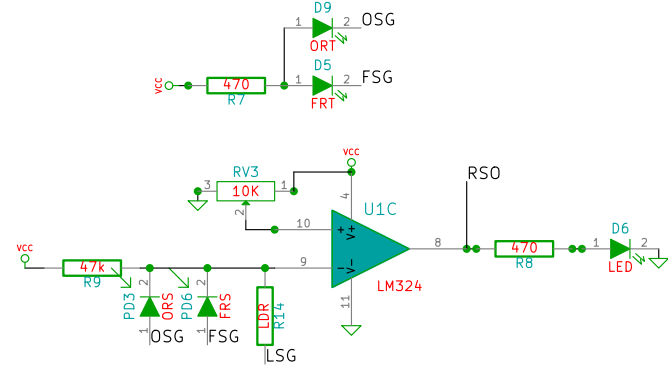
LEFT_Sensors



MIDDLE_Sensors



RIGHT_Sensors



File: sensor_board.sch		Rev:	
Sheet: /		Id: 1/1	
Title:		Date: 25 aug 2014	
Size: A4	KiCad E.D.A.		