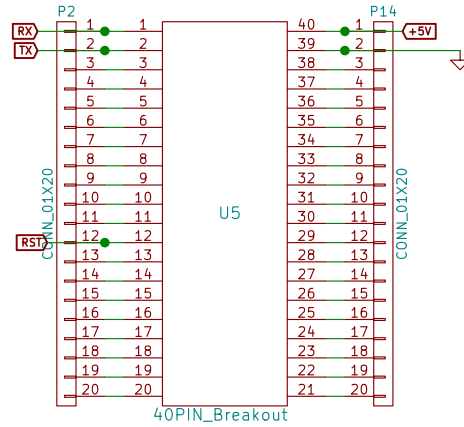
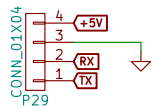
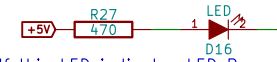
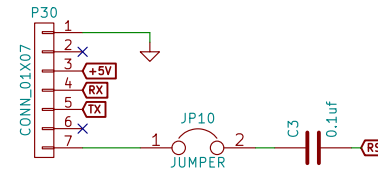


- ✕ ○ P6
- ✕ ○ P7
- ✕ ○ P8
- ✕ ○ P9
- ✕ ○ P10



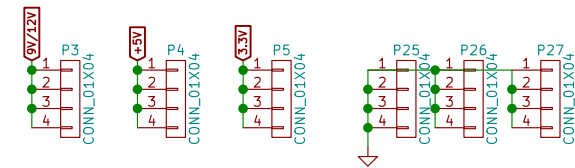
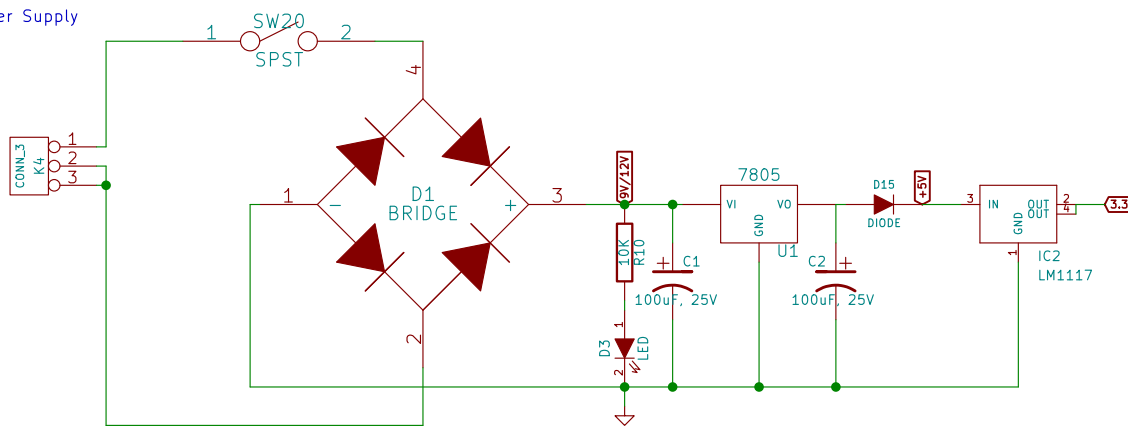
Create a 40 pin component with the name Explore MCU Breakout and also a footprint for it.
Do not put it as individual connectors, people may find difficult to understand what these connectors are!

Add SPI LCD



If this LED indicates LED Power connect it to VBUS, don't leave stand alone

Power Supply



7Segment



file5498D866.sch

Key Pad



file5498DEFB.sch

ADC



file5498E66B.sch

ExploreEmbedded.com

Sheet: /
File: MCU_BaseBoard.sch

Title: Explore MCU Base Board

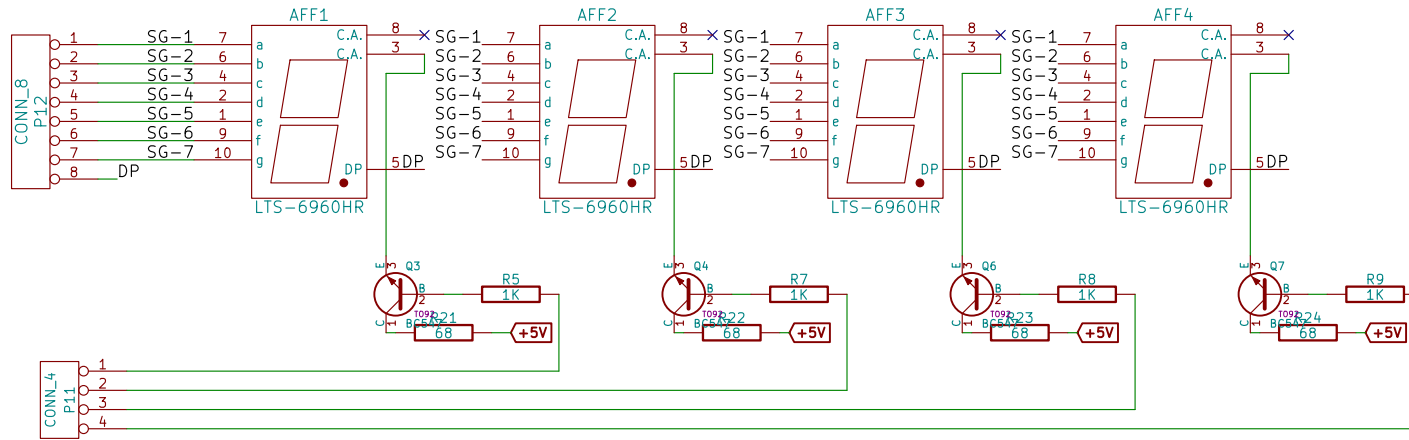
Size: A4 Date: Saturday, May 23, 2015

KiCad E.D.A. kicad (2015-01-16 BZR 5376)-product

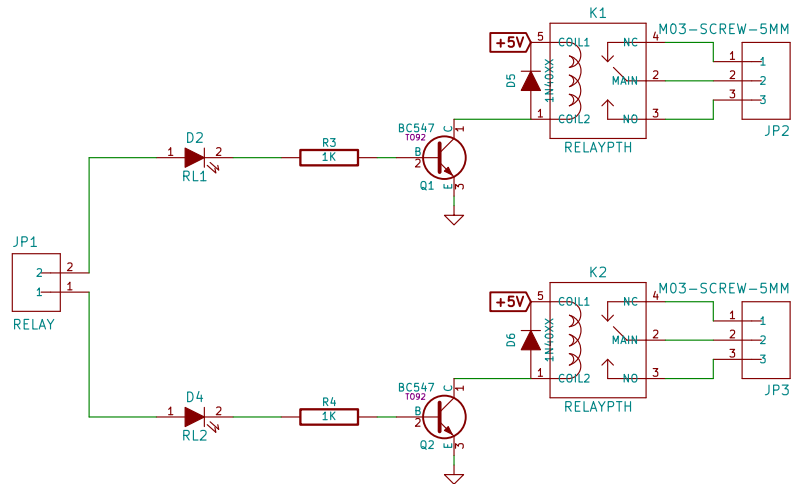
Rev: v1.0

Id: 1/4

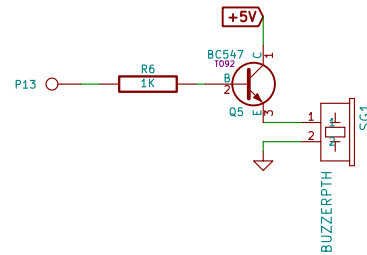
7Segments



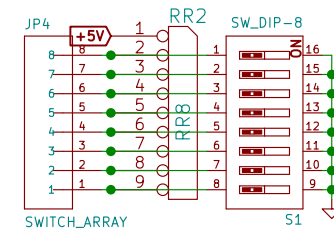
Relay



Buzzer



Switches



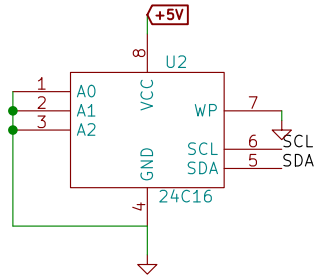
Sheet: /7Segment/
File: file549BD866.sch

Title:

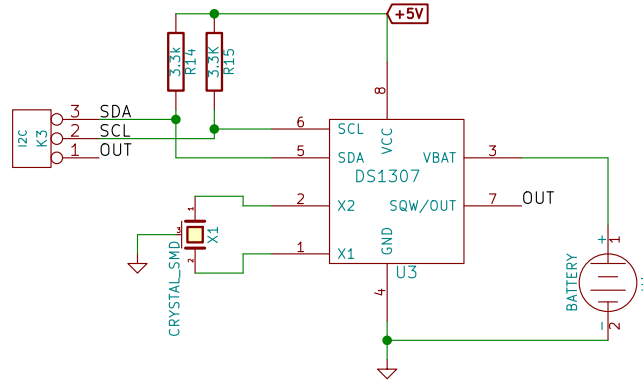
Size: A4 Date: 19 may 2015
KiCad E.D.A. kicad (2015-01-16 BZR 5376)-product

Rev:
Id: 2/4

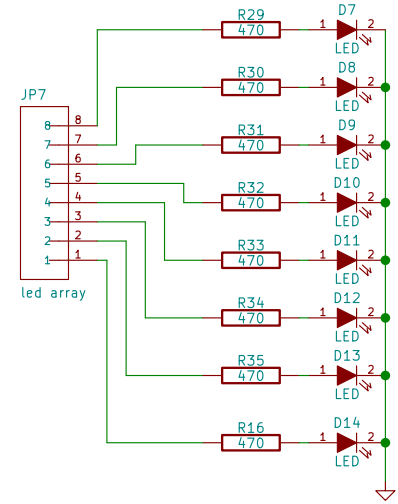
EEPROM



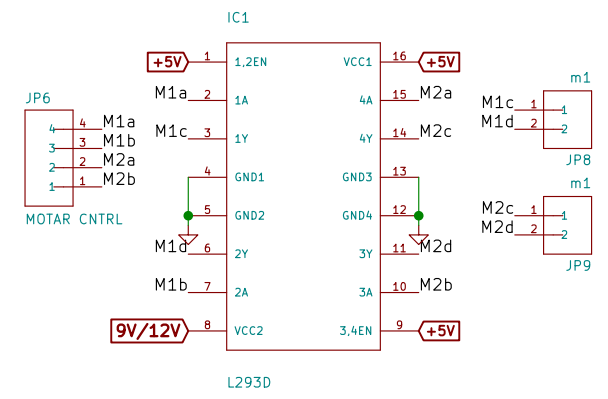
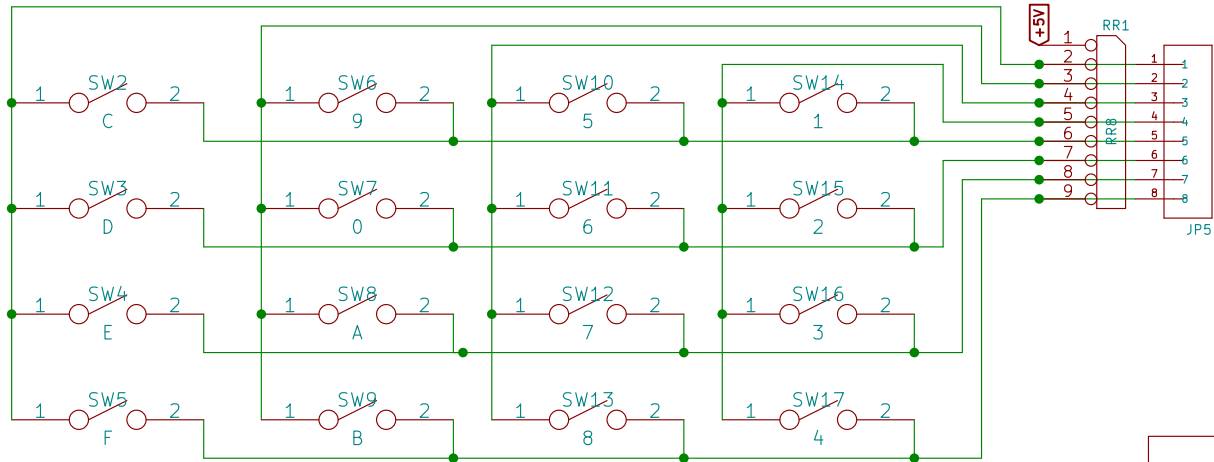
RTC

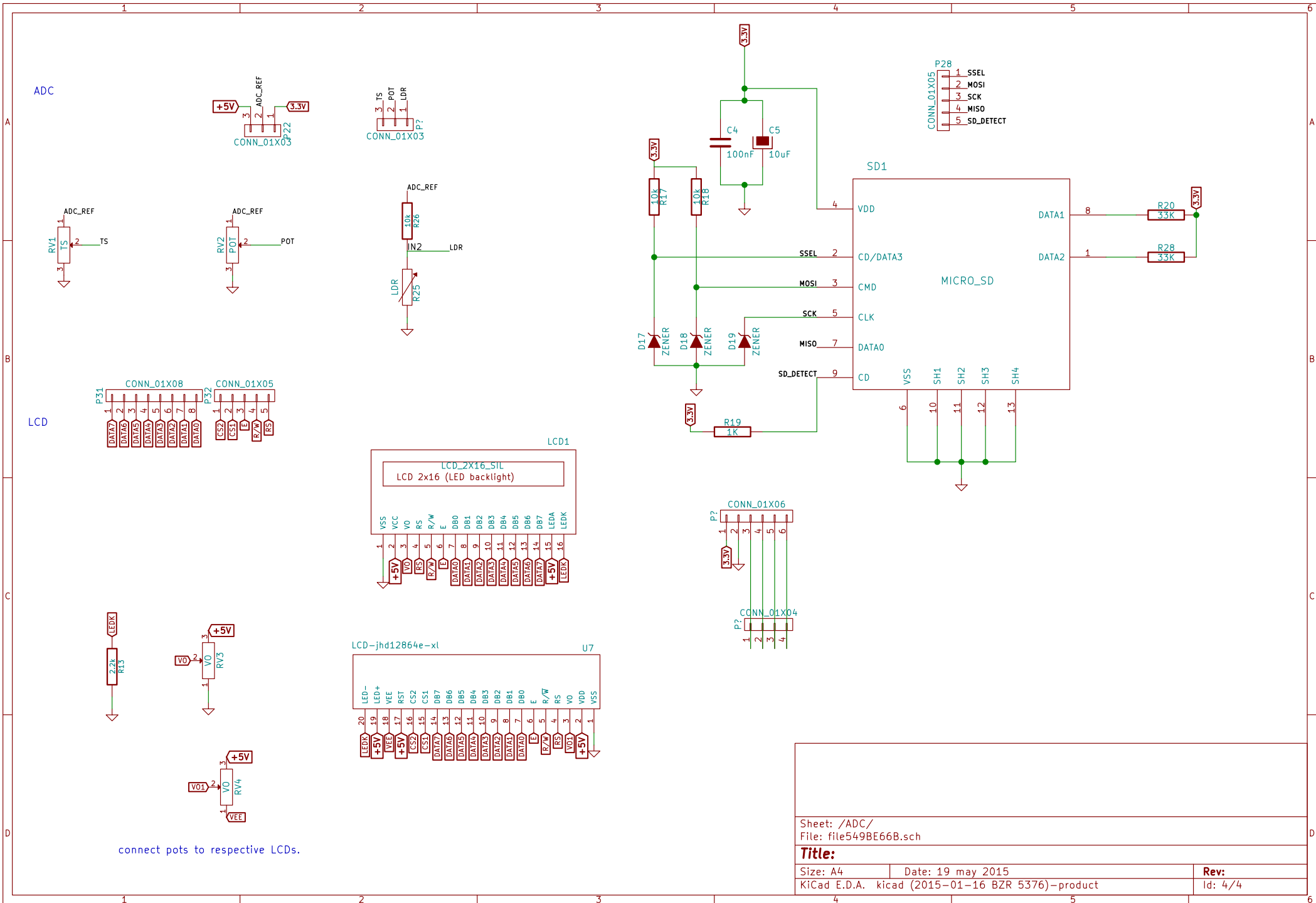


LED



KEY PAD





Sheet: /ADC/
 File: file549BE66B.sch

Title:

Size: A4
 KiCad E.D.A. kicad (2015-01-16 BZR 5376)-product

Date: 19 may 2015

Rev:
 Id: 4/4

connect pots to respective LCDs.