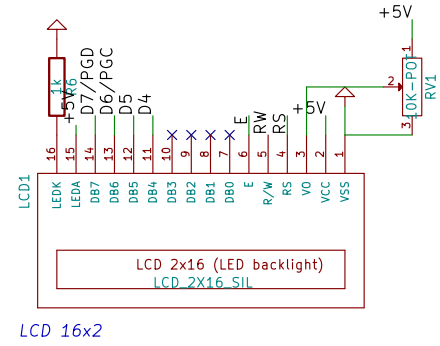
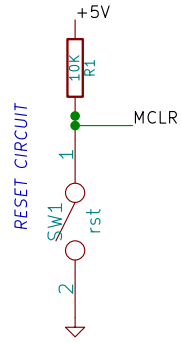
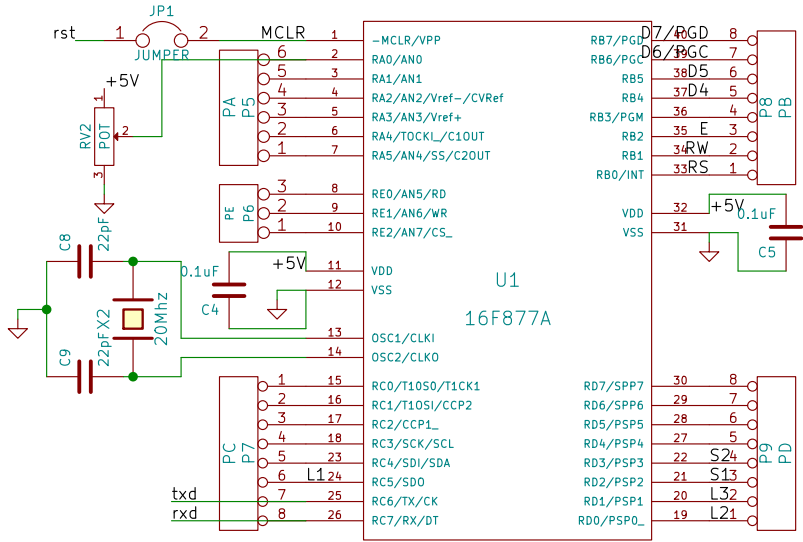
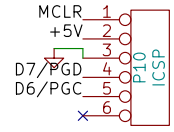


MCU

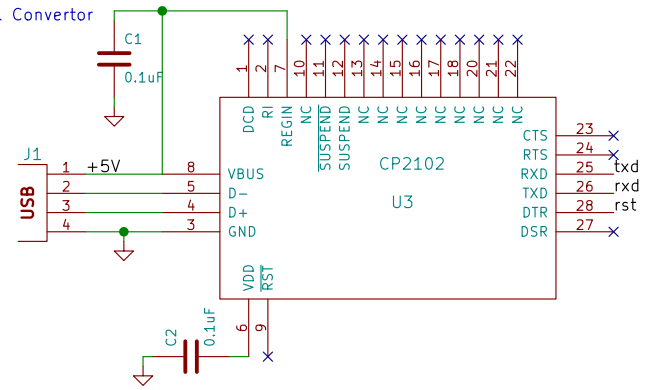


LCD 16x2

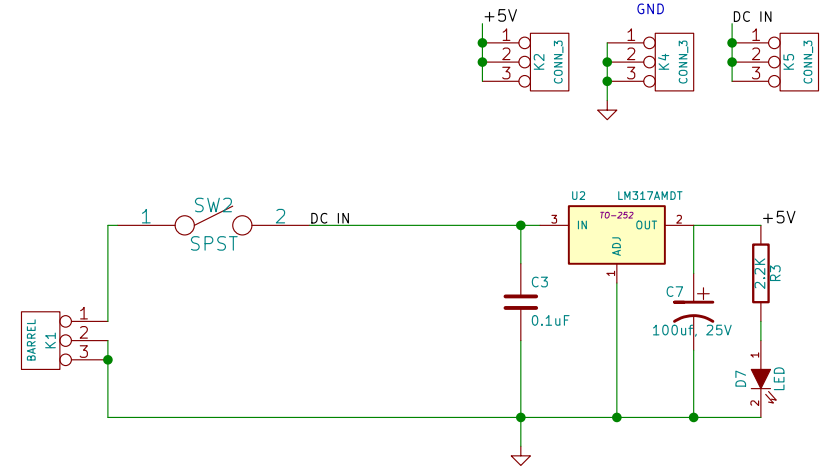


ICSP Breakout

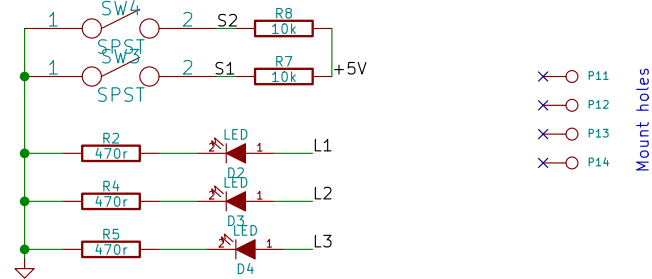
USB to Serial Converter



Power Supply



Test Switch and LEDs



ExploreEmbedded.com

Sheet: /
File: Pro-pic.sch

Title: Explore Starter PIC

Size: A4 Date: 22 mar 2014
KiCad E.D.A. kicad (2015-01-16 BZR 5376)-product

Rev:
Id: 1/1