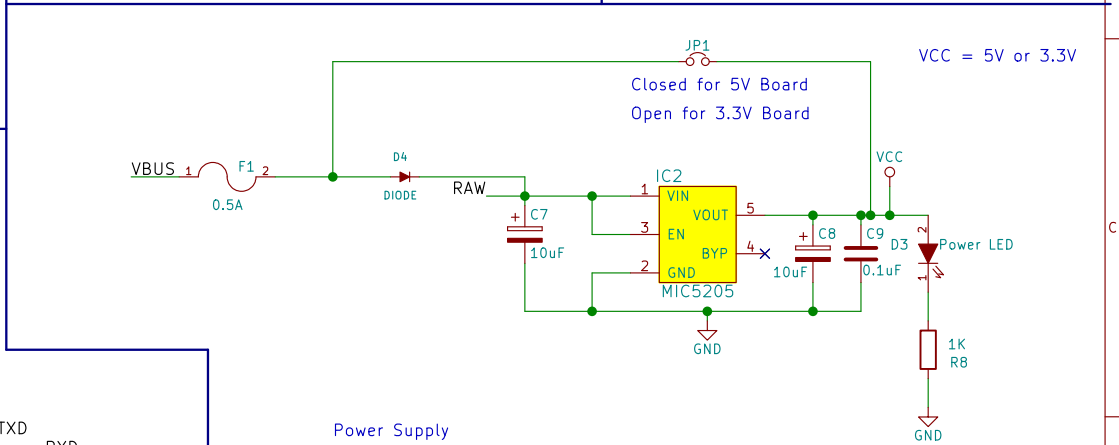
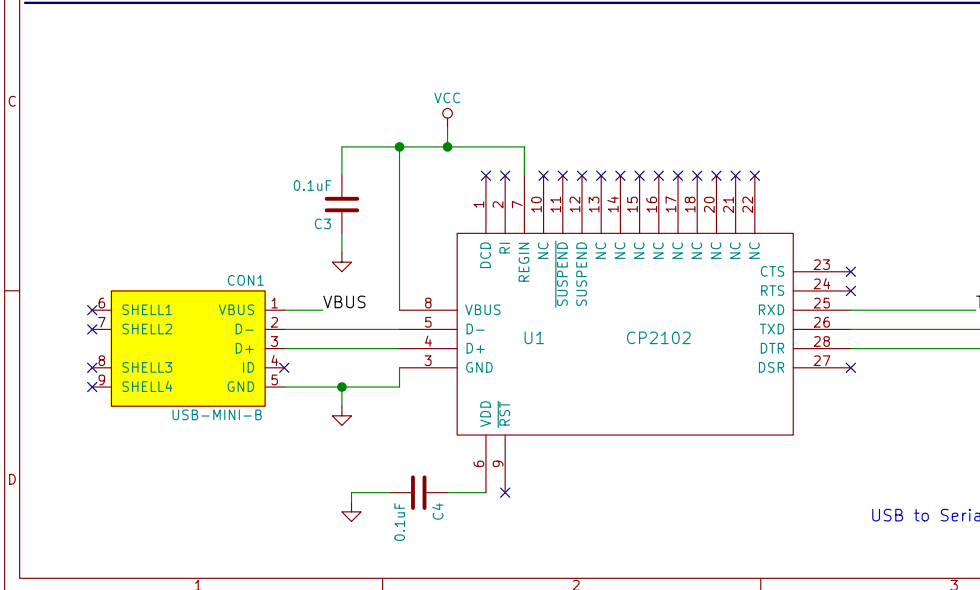


Pins Broken out

Logo



Sheet: /

File: oneMicro ATmega328.sch

Title:

Size: A4	Date: 31 may 2015	Rev:
KiCad E.D.A. kicad (2015-01-16 BZR 5376)-product		Id: 1/1