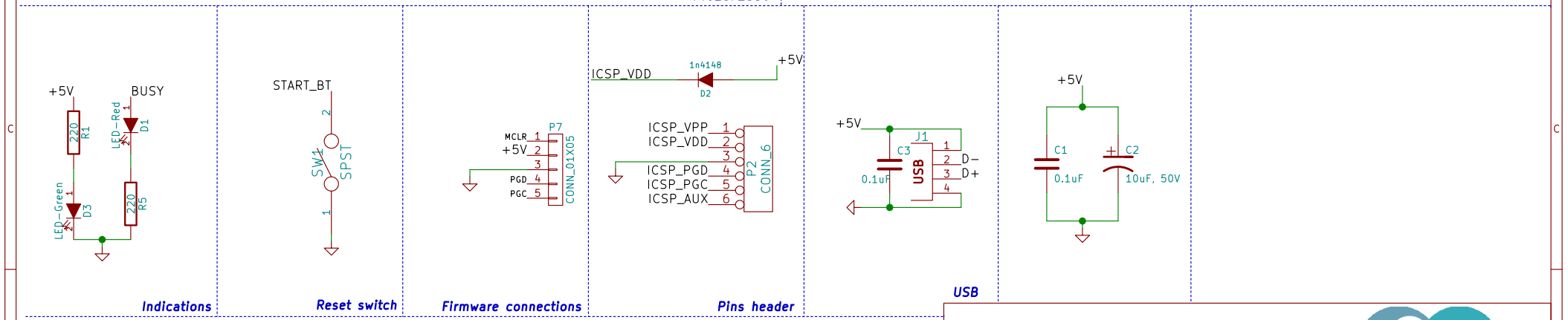


PIC18F2550

Logic circuit



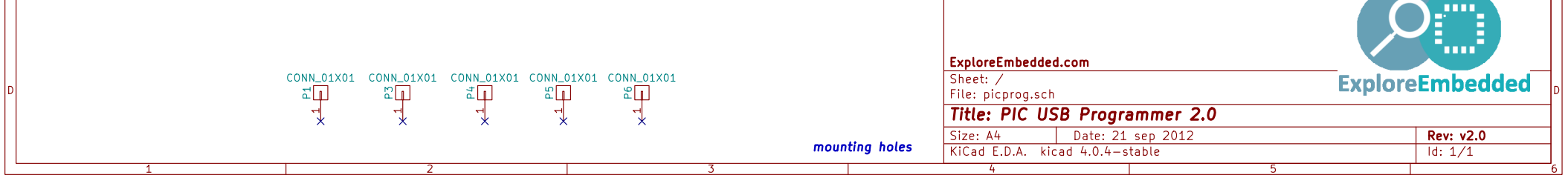
Indications

Reset switch

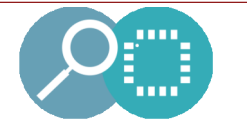
Firmware connections

Pins header

USB



mounting holes



ExploreEmbedded