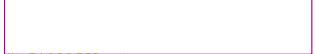


7Segment



file549BD866.sch

Key Pad



file549BDEFB.sch

ADC

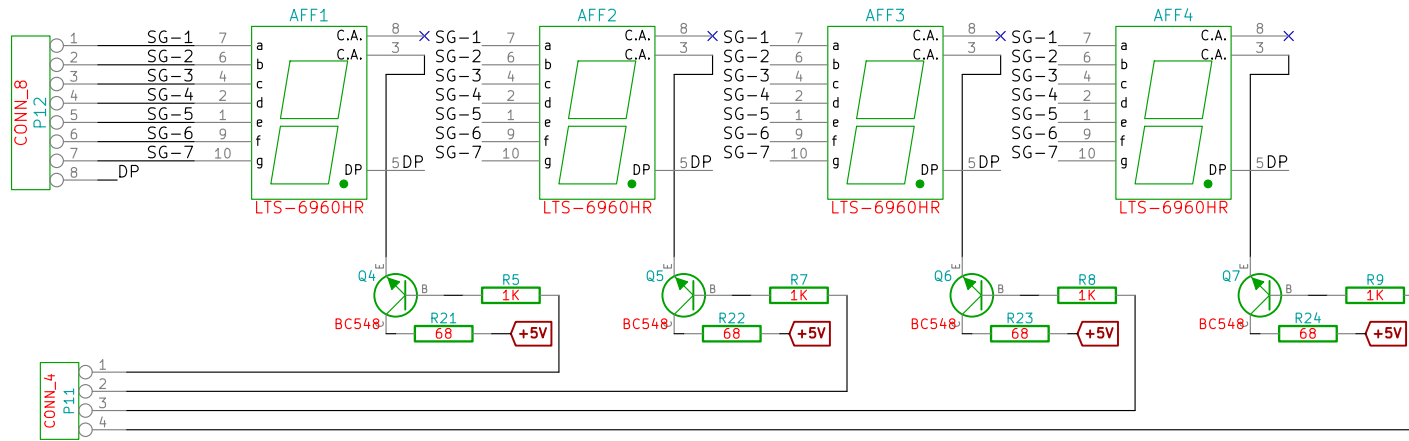


file549BE66B.sch

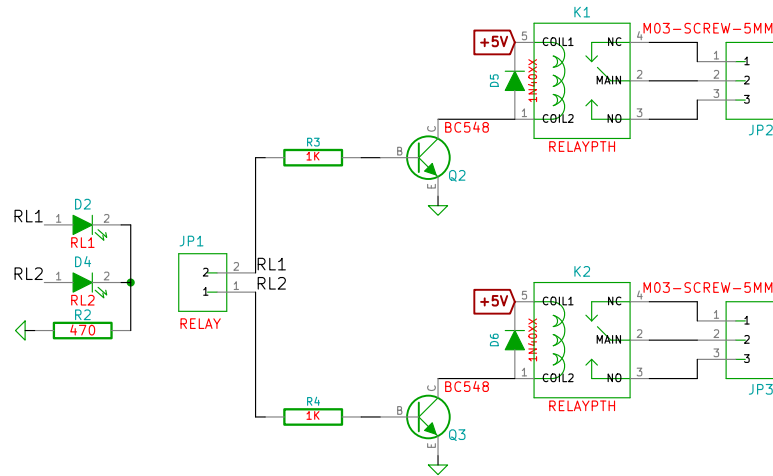


www.ExploreEmbedded.com	
ExploreEmbedded	
File: Ultra_DB_X51_v1.sch	
Sheet: /	
Title: Schematic_Ultra_X51	
Size: A4	Date: 23 jan 2015
KiCad E.D.A.	Rev: 1.0
	Id: 1/4

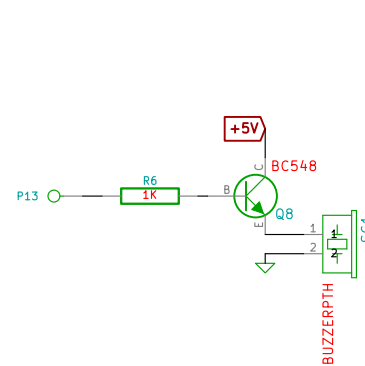
7Segments



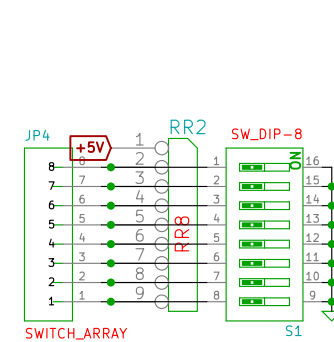
Relay



Buzzer



Switches



File: file549BD866.sch

Sheet: /7Segment/

Title:

Size: A4

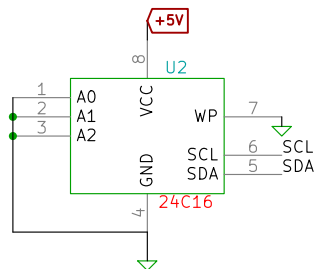
Date: 23 jan 2015

Rev:

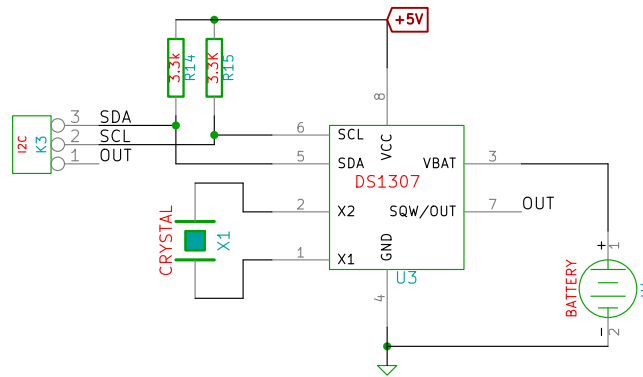
KiCad E.D.A.

Id: 2/4

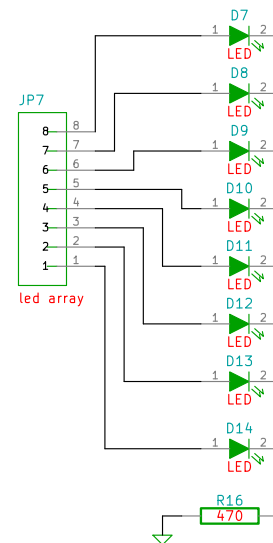
EEPROM



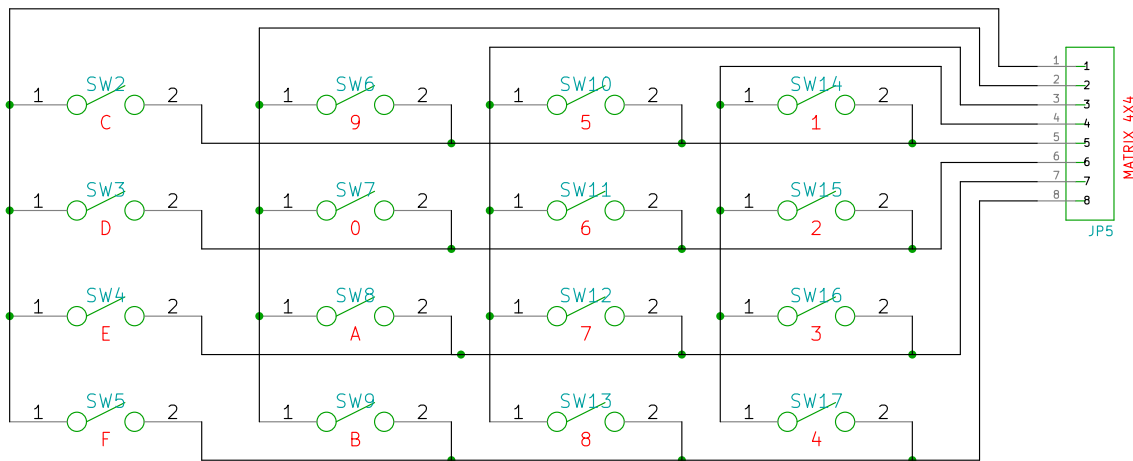
RTC



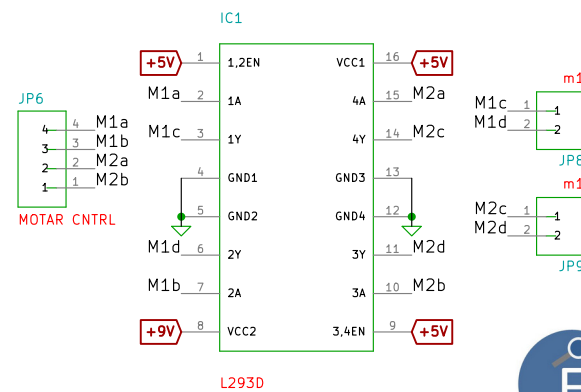
LED



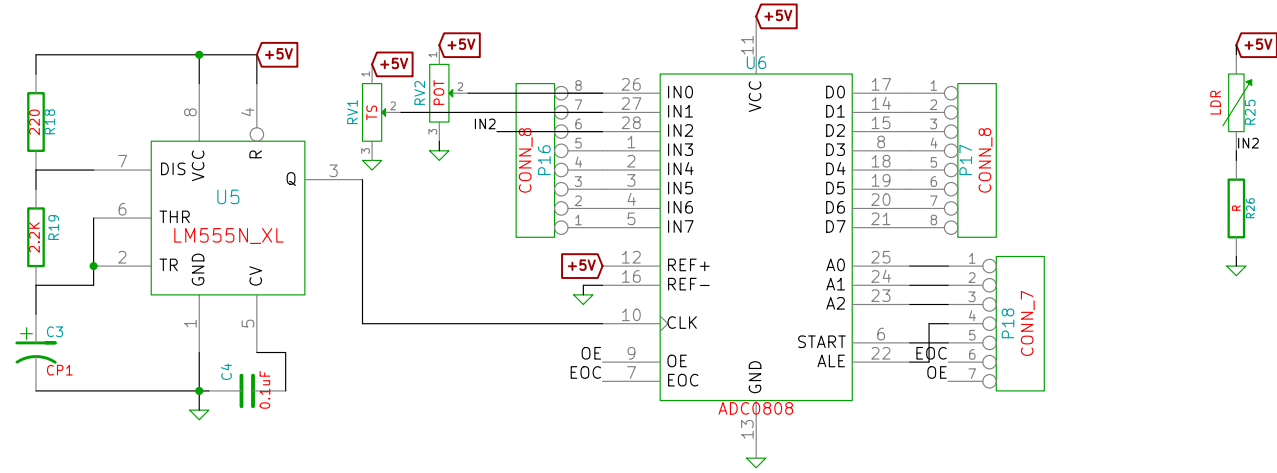
KEY PAD



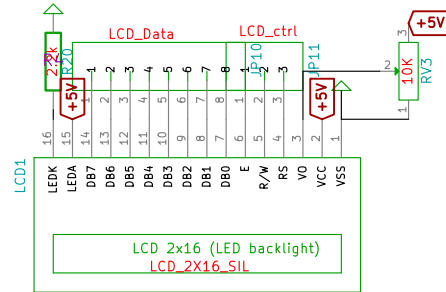
MOTOR DRIVER



ADC



LCD



File: file549BE66B.sch	
Sheet: /ADC/	
Title:	
Size: A4	Date: 23 jan 2015
KiCad E.D.A.	Rev: 4/4